

3.2mm UV Silicon PIN photodiode

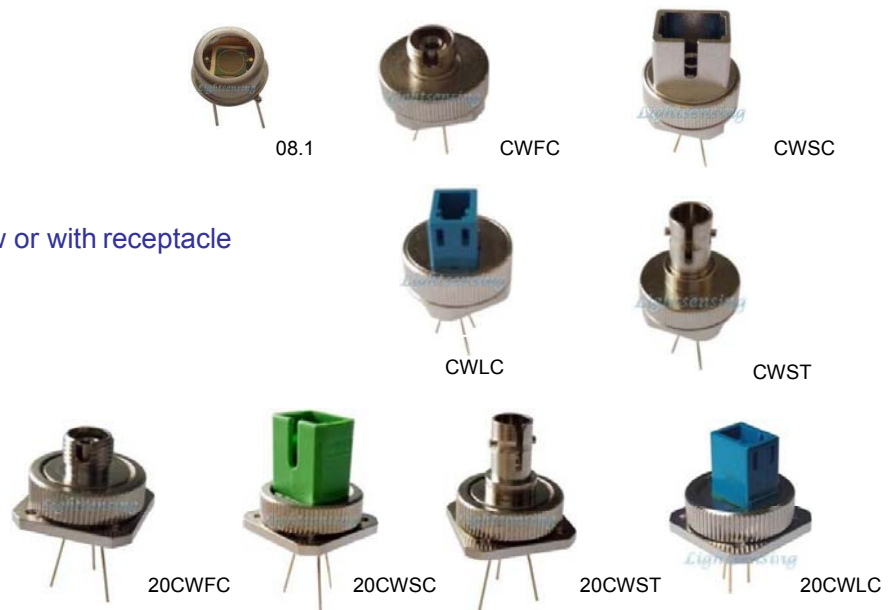
Model: LSSPD-U3.2

Features:

- High reliability, low dark current
- 200-1100nm spectralrange
- Active diameter 3.2x3.2mm
- Hermetic TO5 Can with UV window or with receptacle

Applications:

- Optical sensor
- Optical power meter
- Industrial automatic control
- Science analysis and experiment
- Space light detect equipment
- Response spectrum testing



Absolute maximum ratings:

parameter	symbol	value	unit
Operating temperature	Top	-40~+85	°C
Storage temperature	Tstg	-40~+100	°C
Forward current	I _f	16	mA
Reverse voltage	V _r	20	V
Soldering temperature(time)	T _s (10s)	260	°C

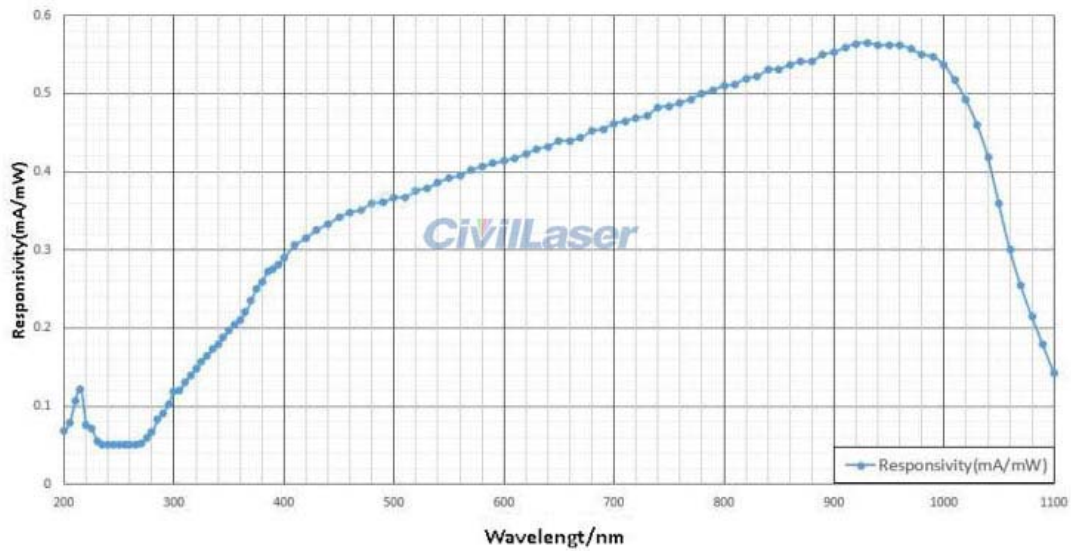
Electrical and optical characteristics:(T=25°C)

parameter	symbol	unit	Value (typ.)
Active diameter	Φ	mm	3.2x3.2
Spectral range	λ	nm	200-1100
Responsivity	Re(V _R =0V,λ=200nm)	mA/mW	0.08
	Re(V _R =0V,λ=405nm)	mA/mW	0.28
	Re(V _R =0V,λ=650nm)	mA/mW	0.43
	Re(V _R =0V,λ=905nm)	mA/mW	0.55
	Re(V _R =0V,λ=1064nm)	mA/mW	0.22
Response time	T _r (R _L =50Ω, V _R =5V)	ns	50
Dark current	I _d (V _R =0V)	PA	1
	I _d (V _R =5V)	pA	200
Reverse Breakdown voltage	V _{BR} (I _R =10uA)	V	40
Junction capacitance	C _j (f=1MHZ, V _R =0V)	pF	1500

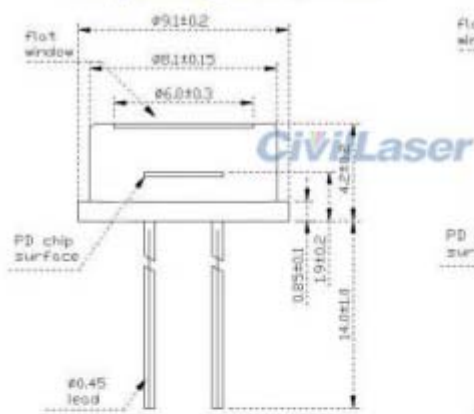
	C_j (f=1MHz, $V_R=5V$)	pF	300
Saturated Optical Power	$P_s(V_R=5V)$	mW	25
Operating voltage	V_R	V	0-15V
Shunt resistance	R_{sh} ($V_R=10mV$)	$G\Omega$	10
package	Hermetic TO5 Can with UV window or with receptacle		

NOTICE: The above product specifications are subject to change without notice.

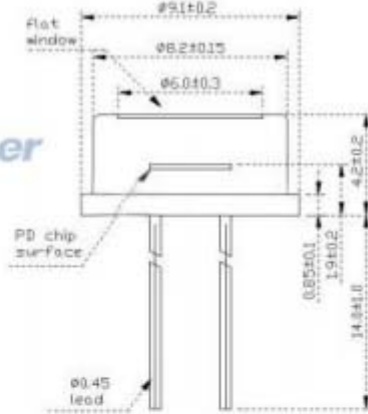
The typical Responsivity curve



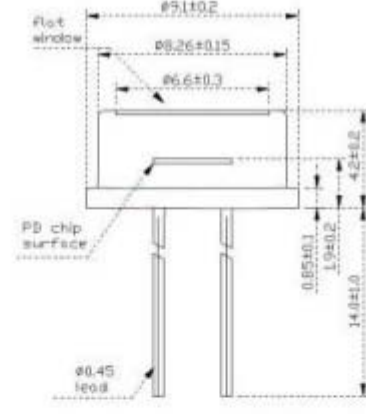
TO package and Lead



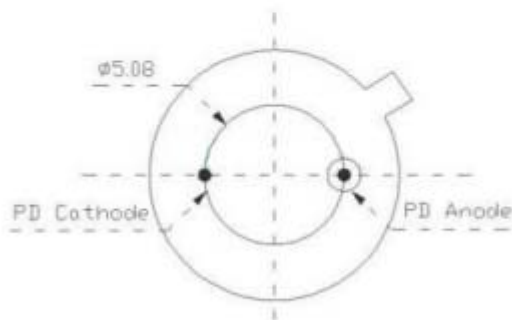
flat window 2 PIN 8.1mm TO
Model: 08.1



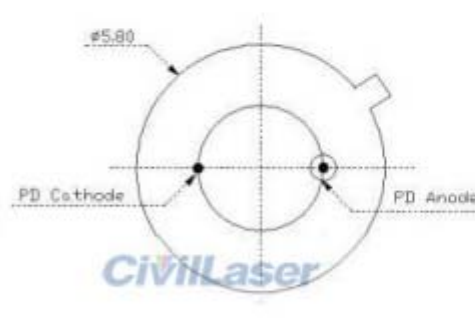
flat window 2 PIN $\sqrt{.20}$ mm TO
Model: 08.20



flat window 2 PIN 8.26mm TO
Model: 08.26



2PIN Bottom View

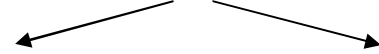


B type 2PIN Bottom View

Note: In order to get other dimensions, please contact us.

Order information

LSSPD-U3.2-X-X



X=2P	2 PIN out	X=08.1	TO-5 Can with UV flat window Φ 8.1mm nickel cap
X=B2P	B type 2 PIN out	X=08.20	TO-5 Can with UV flat window Φ 8.20mm nickel cap
		X=08.26	TO-5 Can with UV flat window Φ 8.26mm nickel cap
		X=CWFC	TO-5 Can with replaceable receptacle with FC connector
		X=CWSC	TO-5 Can with replaceable receptacle with SC connector
		X=CWLC	TO-5 Can with replaceable receptacle with LC connector
		X=CWST	TO-5 Can with replaceable receptacle with ST connector
		X=20CWFC	TO-5 Can with 20mm replaceable receptacle with FC connector
		X=20CWSC	TO-5 Can with 20mm replaceable receptacle with SC connector
		X=20CWST	TO-5 Can with 20mm replaceable receptacle with ST connector
		X=20CWLC	TO-5 Can with 20mm replaceable receptacle with LC connector
		X=Other	By customer's request. Example, We can provide photodiode with filter

The cautions

- 1: The above product specifications are subject to change without notice.
- 2: The suitable ESD protection is required in storage, transportation and using